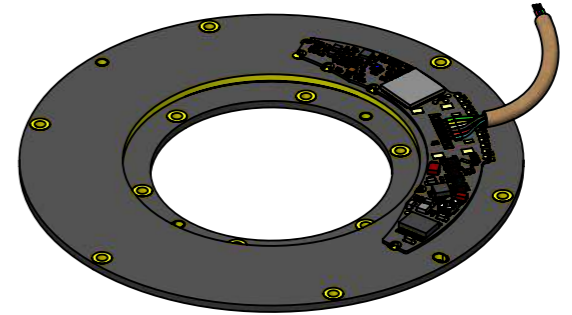
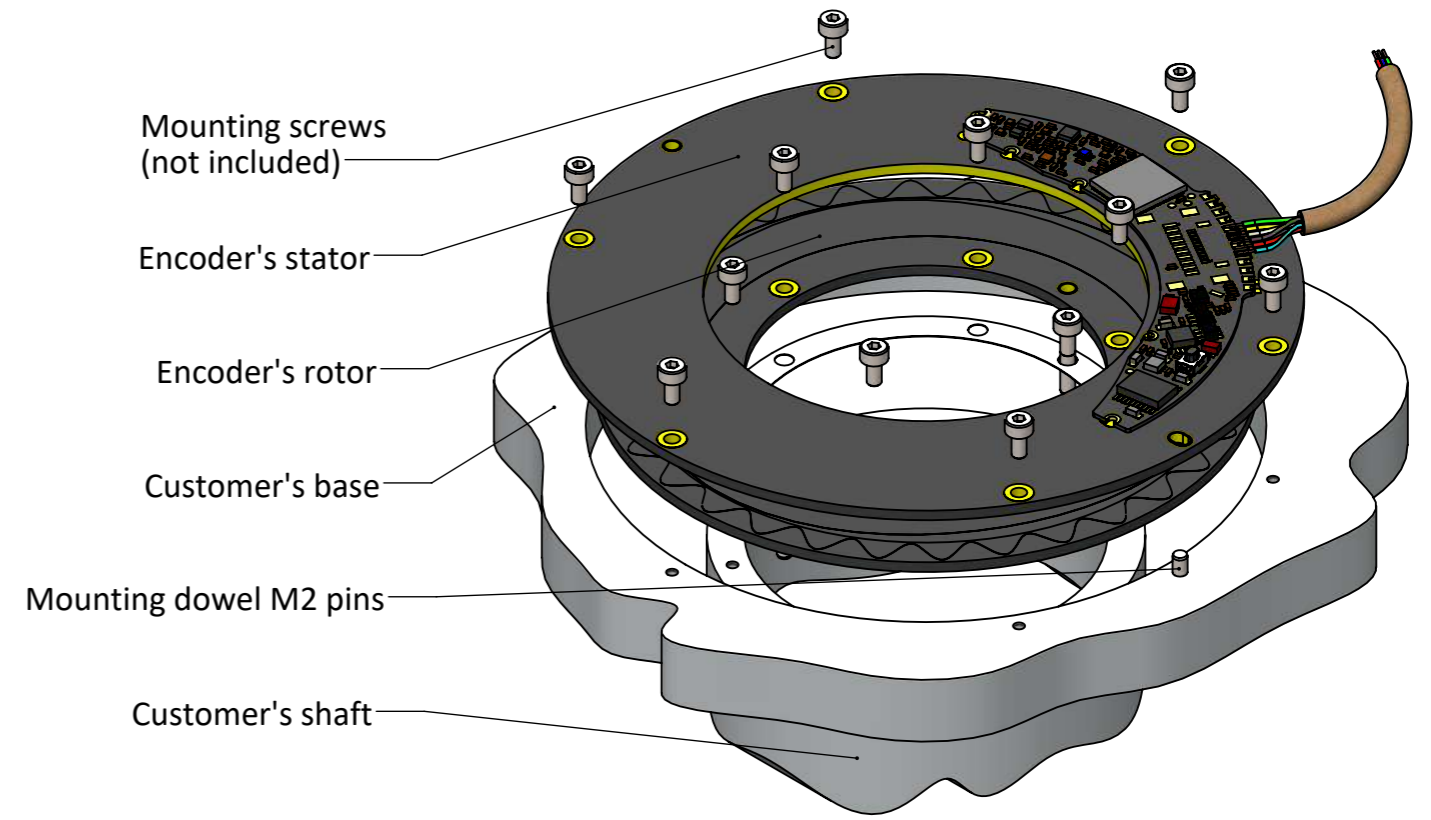
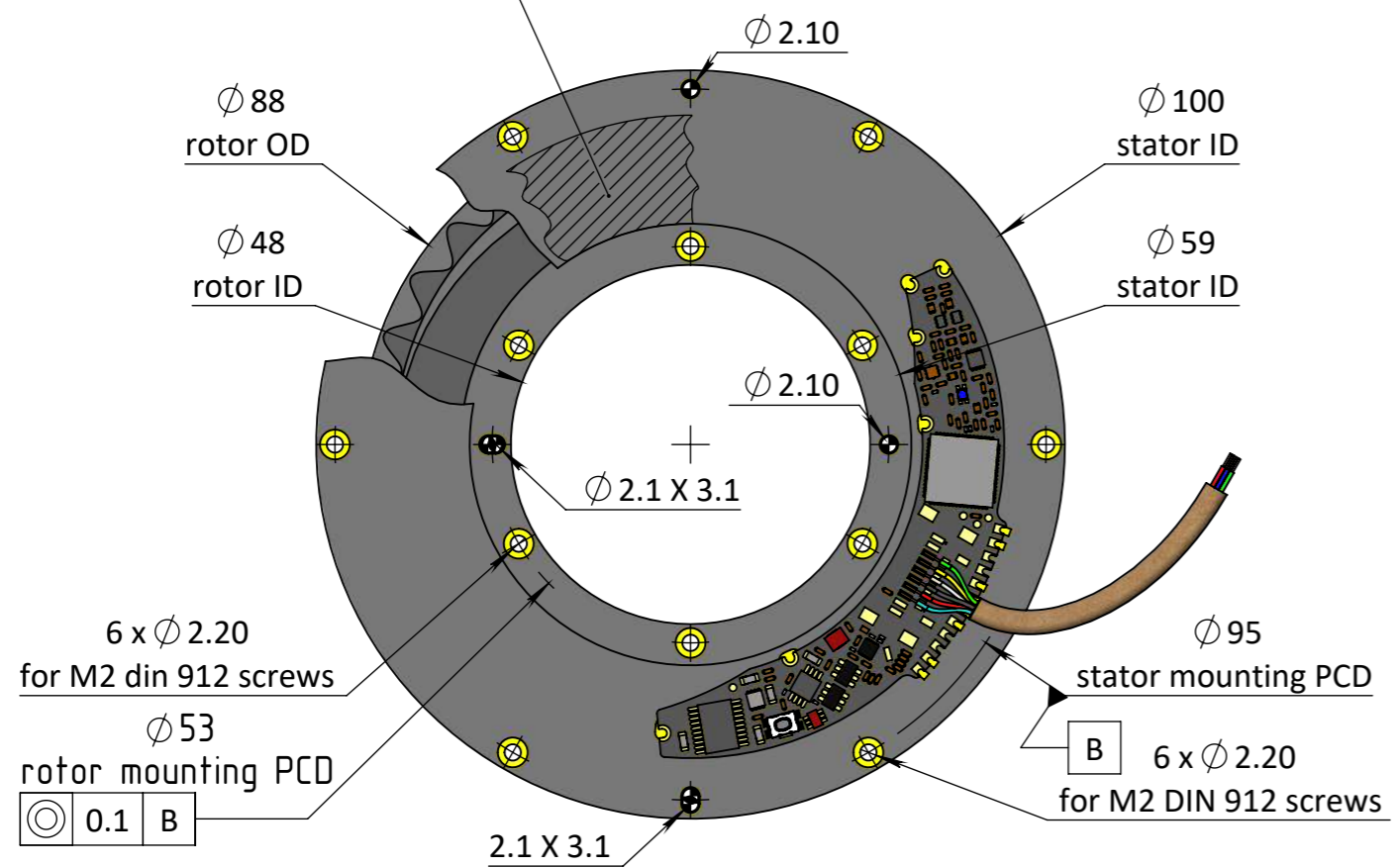


Avoid presence of any body made of conductive material below the rotor's lower surface within 1 mm under the rotor and within the functional zone - to prevent parasitic capacitance

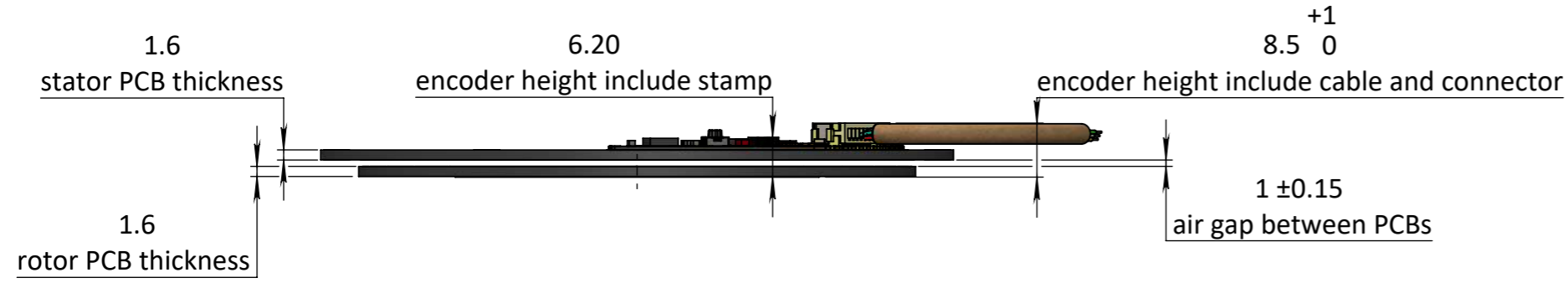
The functional zone is within the ring between radii 30.5 and 44 on both the stator and the rotor



Encoder general view



Customer interface, example, exploded view



The information contained in this drawing is the sole property of Netzer Precision Position Sensors A.C.S. Ltd. Any reproduction in part or whole without the written permission of Netzer Precision Position Sensors A.C.S. Ltd. is prohibited. The drawing is confidential, and is the property of Netzer Precision Ltd. It must not be disclosed to a third party without written consent of Netzer Precision Ltd.

	NAME	SIGNATURE	DATE
DRAWN	Michael Agam	MA	21-Jun-2023
CHK'D			
APPV'D			

UNLESS OTHERWISE SPECIFIED:
 DIMENSIONS ARE IN: mm SURFACE FINISH: N6
 0.5 - 4.9: ±0.05 mm 5 - 30: ±0.1 mm
 31 - 120: ±0.15 mm 121 - 400: ±0.2 mm
 401 - 1000: ±0.3 mm 1001 - 2000: ±0.5 mm
 Between holes: ±0.05 mm Angles: ±0.5°
 On all edges make chamfer 0.1 mm x 45°

TITLE: VLS-100 ICD
 MATERIAL: Coating: SCALE: 1:1
 PROJECT: Revision: A3
 CAT NO.: VLS-100 ICD SHEET 1 OF 1