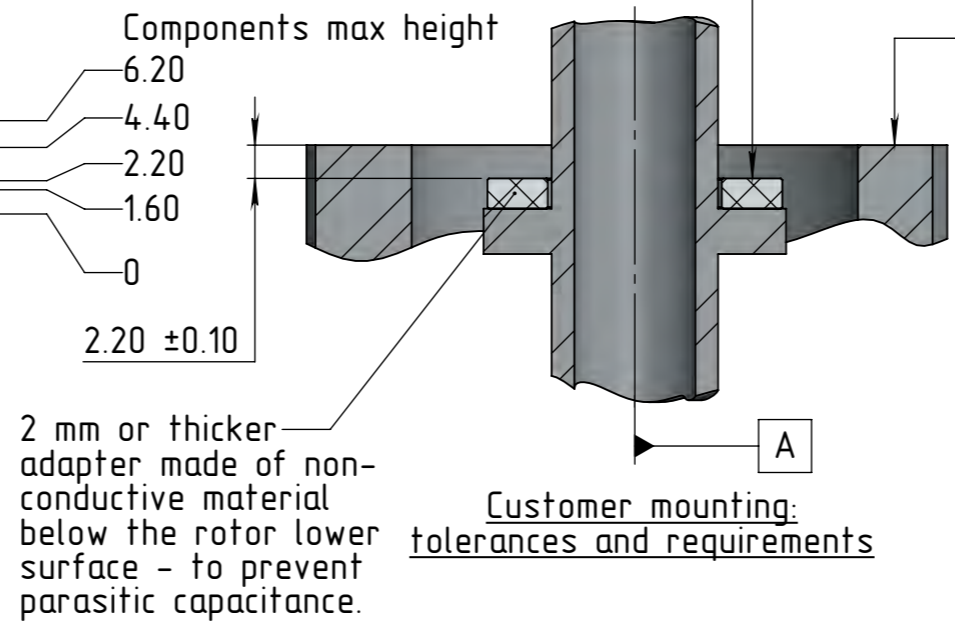
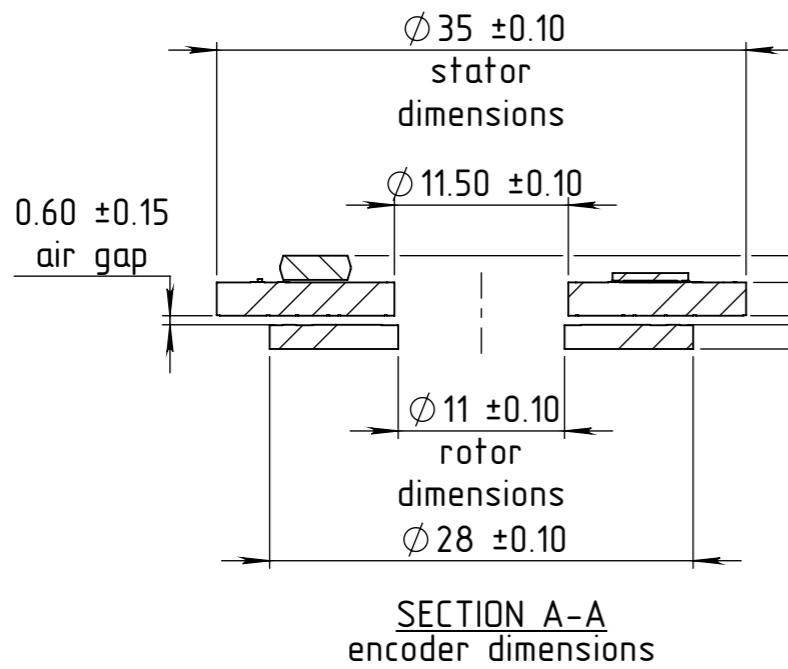
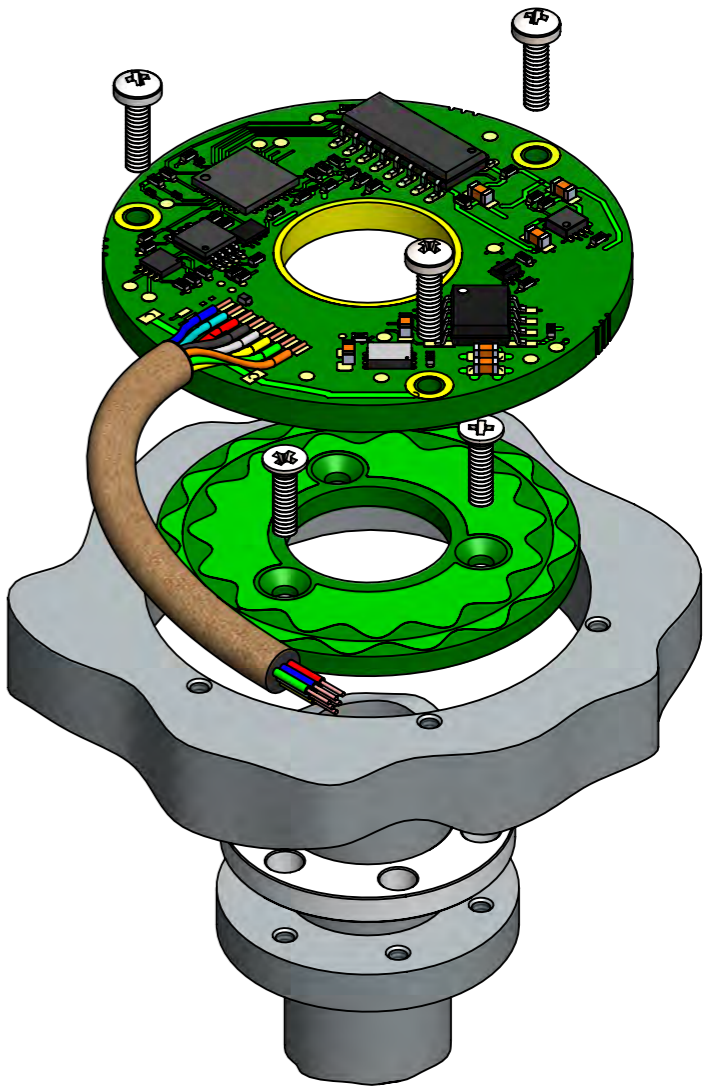


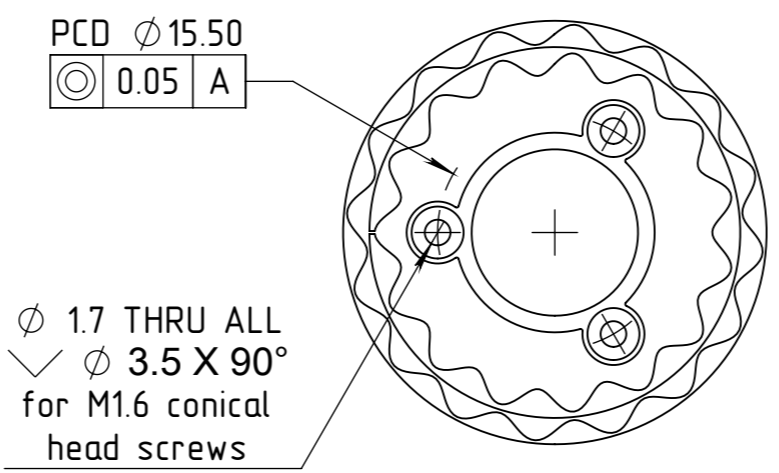
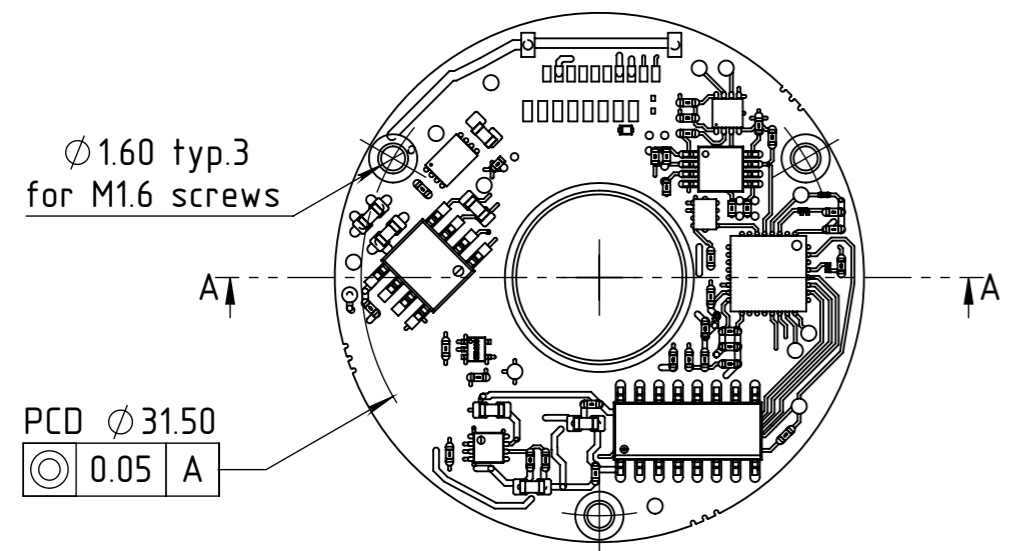
REVISIONS				
ZONE	REV.	DESCRIPTION	DATE	DRAWN



∥	0.05	B
∠	0.05	
⊥	0.05	A
∠	0.05	
		B



Mounting sample - exploded view



Both stator and rotor are positioned and centered by screws only

The information contained in this drawing is the sole property of Netzer Precision Motion Sensors Ltd. Any reproduction in part or whole without the written permission of Netzer Precision Motion Sensors Ltd. is prohibited. The drawing is confidential, and is the property of Netzer Precision Ltd. It must not be disclosed to a third party without written consent of Netzer Precision Ltd.

NAME	SIGNATURE	DATE
DRAWN Michael Agam	MA	11-Apr-2024
CHK'D		
APPV'D		

UNLESS OTHERWISE SPECIFIED:
 DIMENSIONS ARE IN: mm SURFACE FINISH: N6
 0.5 - 4.9: ±0.05 mm 5 - 30: ±0.1 mm
 31 - 120: ±0.15 mm 121 - 400: ±0.2 mm
 401 - 1000: ±0.3 mm 1001 - 2000: ±0.5 mm
 Between holes: ±0.05 mm Angles: ±0.5°
 On all edges make chamfer 0.1 mm x 45°

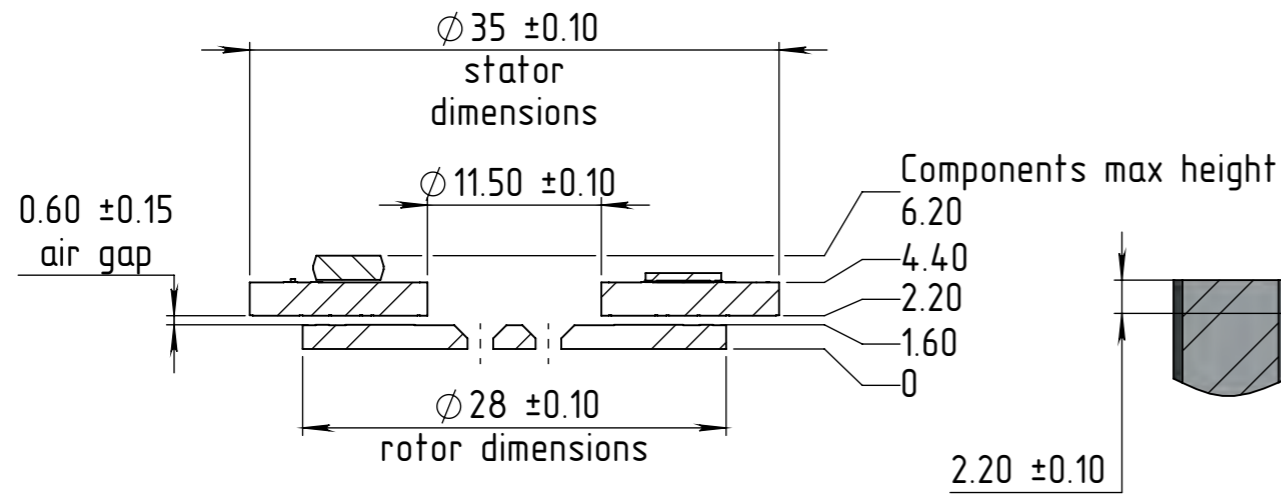
TITLE: VLP-35-Hollow rotor ICD

MATERIAL: Coating: SCALE: 2:1

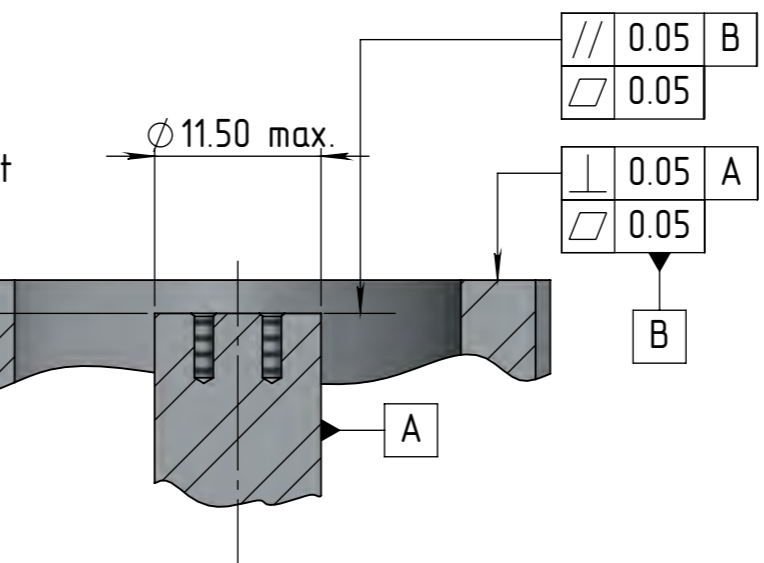
PROJECT: VLP-35 Revision: 00 A3

CAT NO.: VLP-35-Hollow rotor ICD SHEET 1 OF 1

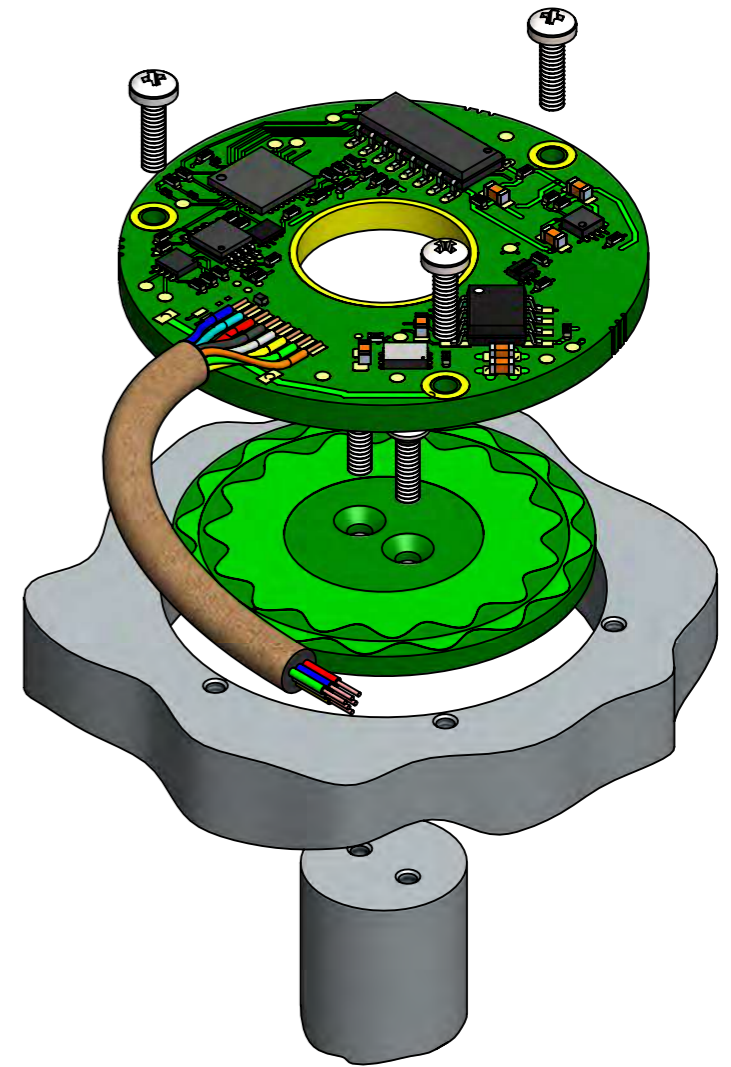
REVISIONS				
ZONE	REV.	DESCRIPTION	DATE	DRAWN



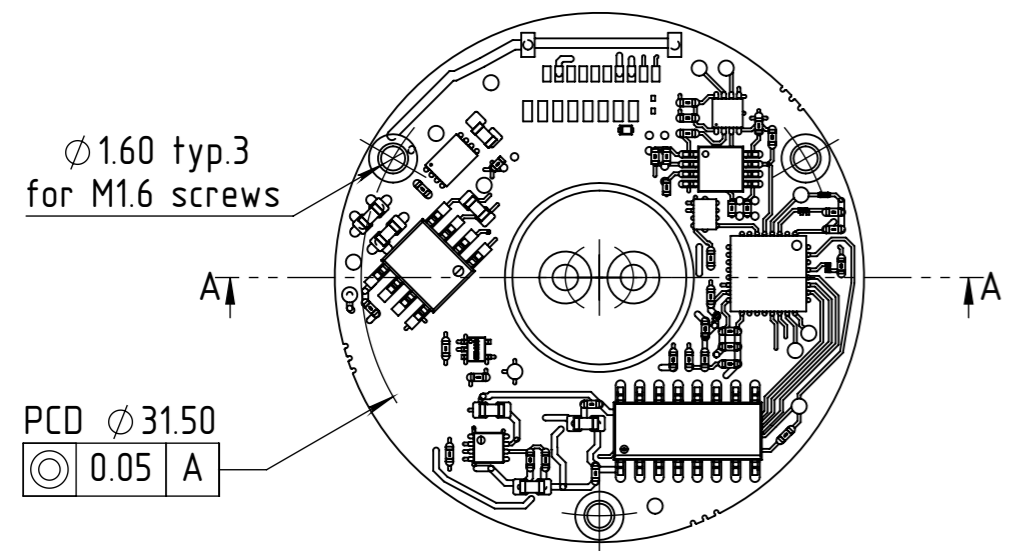
SECTION A-A
encoder dimensions



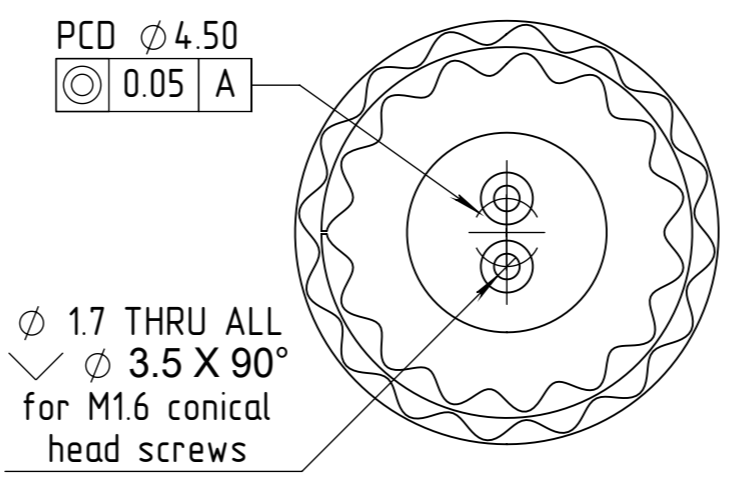
Customer mounting:
tolerances and requirements



Mounting sample - exploded view



Stator mounting



Rotor mounting

Both stator and rotor are positioned
and centered by screws only

The information contained in this drawing is the sole property of Netzer Precision Motion Sensors Ltd. Any reproduction in part or whole without the written permission of Netzer Precision Motion Sensors Ltd. is prohibited. The drawing is confidential, and is the property of Netzer Precision Ltd. It must not be disclosed to a third party without written consent of Netzer Precision Ltd.

NAME	SIGNATURE	DATE
DRAWN Michael Agam	MA	11-Apr-2024
CHK'D		
APPV'D		

UNLESS OTHERWISE SPECIFIED:
 DIMENSIONS ARE IN: mm SURFACE FINISH: N6
 0.5 - 4.9: ±0.05 mm 5 - 30: ±0.1 mm
 31 - 120: ±0.15 mm 121 - 400: ±0.2 mm
 401 - 1000: ±0.3 mm 1001 - 2000: ±0.5 mm
 Between holes: ±0.05 mm Angles: ±0.5°
 On all edges make chamfer 0.1 mm x 45°

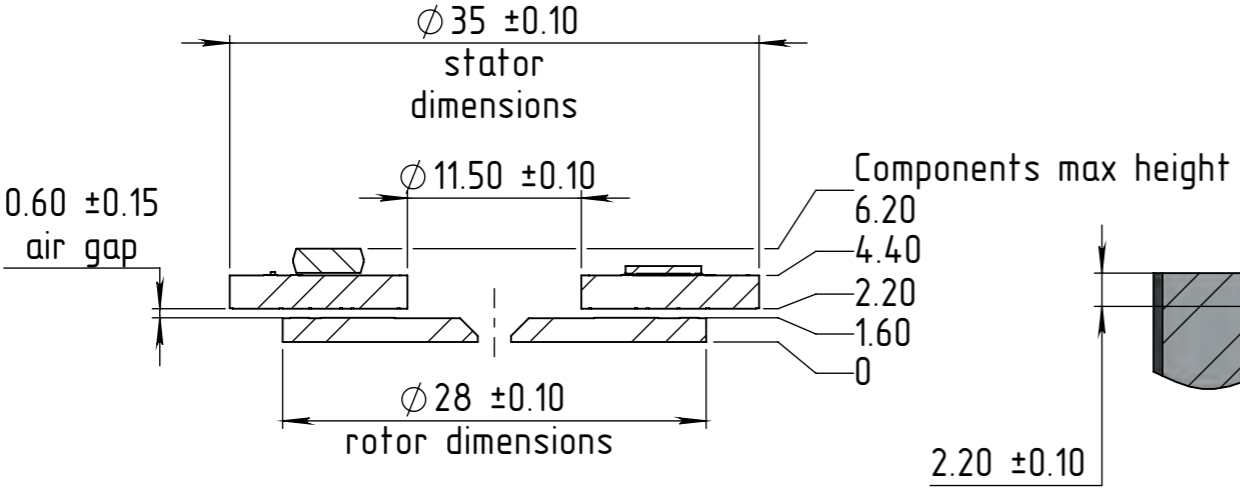
TITLE: VLP-35-Full rotor ICD

MATERIAL: Coating: SCALE: 2:1

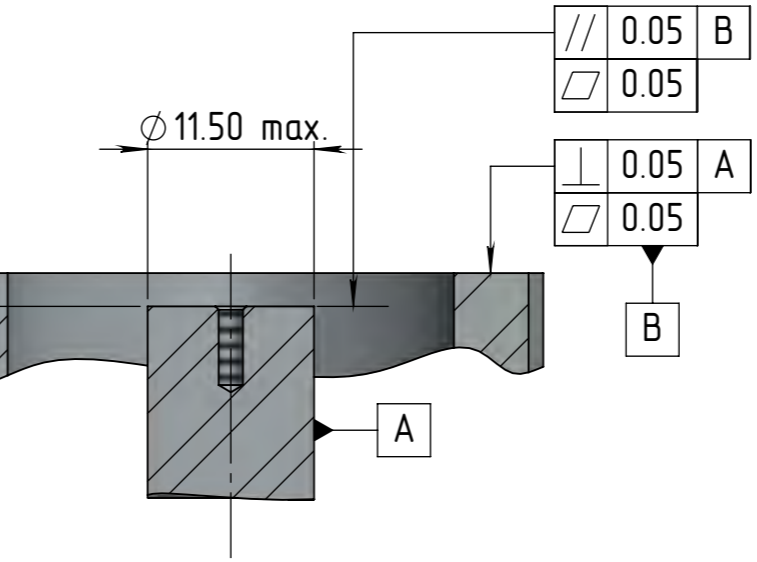
PROJECT: VLP-35 Revision: 00 A3

CAT NO.: VLP-35-Full rotor ICD SHEET 1 OF 1

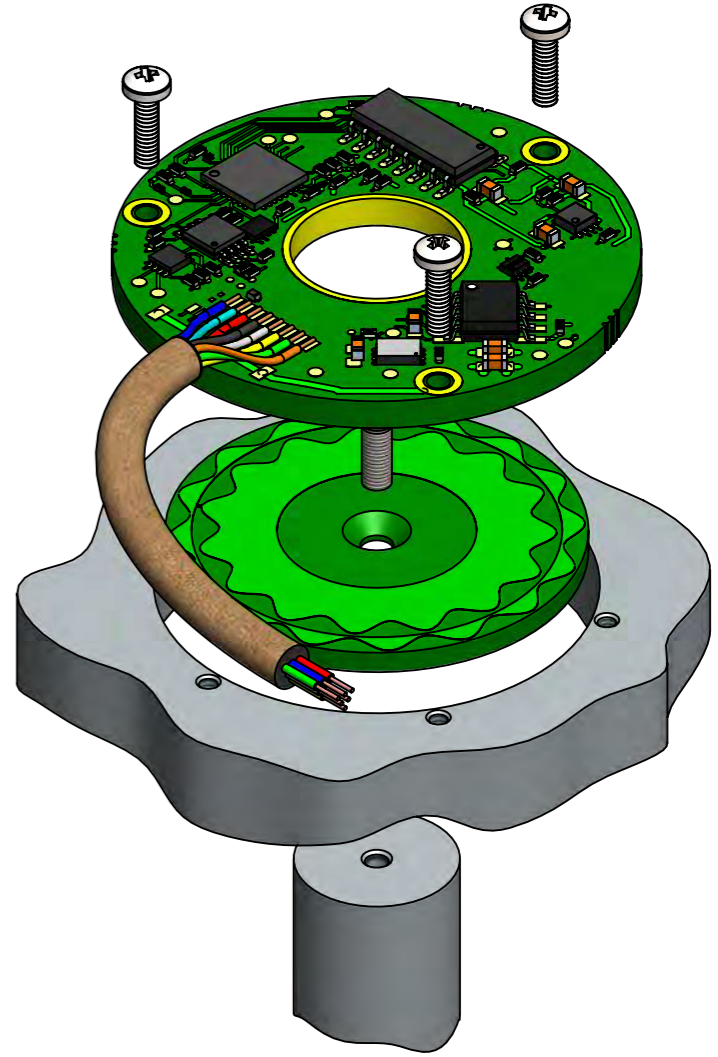
REVISIONS				
ZONE	REV.	DESCRIPTION	DATE	DRAWN



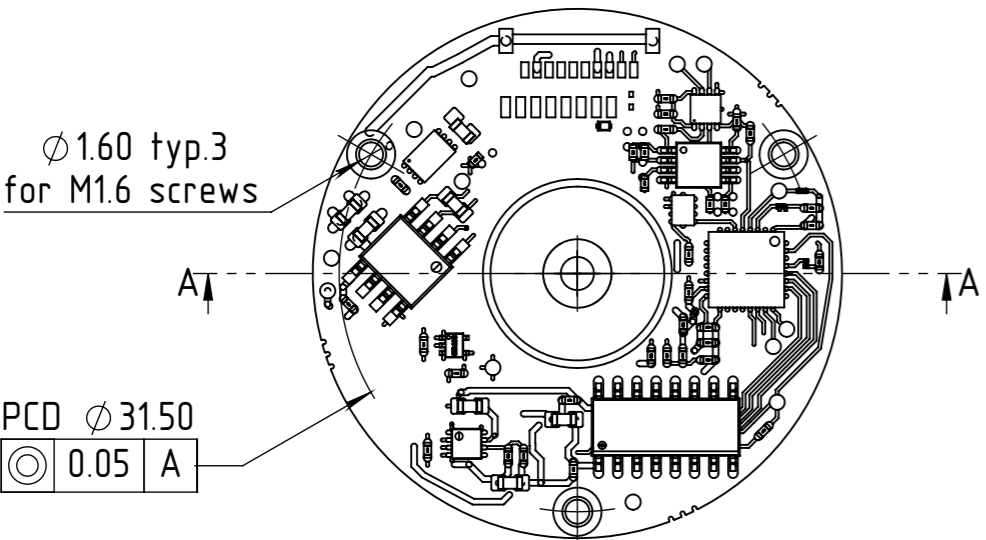
SECTION A-A
encoder dimensions



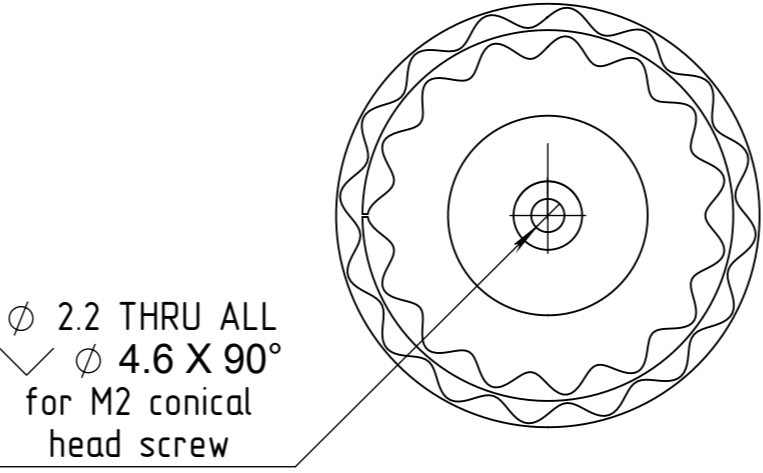
Customer mounting:
tolerances and requirements



Mounting sample - exploded view



Stator mounting



Rotor mounting

Both stator and rotor are positioned
and centered by screws only

The information contained in this drawing is the sole property of Netzer Precision Motion Sensors Ltd. Any reproduction in part or whole without the written permission of Netzer Precision Motion Sensors Ltd. is prohibited. The drawing is confidential, and is the property of Netzer Precision Ltd. It must not be disclosed to a third party without written consent of Netzer Precision Ltd.

NAME	SIGNATURE	DATE
DRAWN Michael Agam	MA	11-Apr-2024
CHK'D		
APPV'D		

UNLESS OTHERWISE SPECIFIED:
 DIMENSIONS ARE IN: mm SURFACE FINISH: N6
 0.5 - 4.9: ±0.05 mm 5 - 30: ±0.1 mm
 31 - 120: ±0.15 mm 121 - 400: ±0.2 mm
 401 - 1000: ±0.3 mm 1001 - 2000: ±0.5 mm
 Between holes: ±0.05 mm Angles: ±0.5°
 On all edges make chamfer 0.1 mm x 45°

TITLE: VLP-35-Single screw ICD

MATERIAL: Coating: SCALE: 2:1

PROJECT: VLP-35 Revision: 00 A3

CAT NO.: VLP-35-Single screw ICD SHEET 1 OF 1