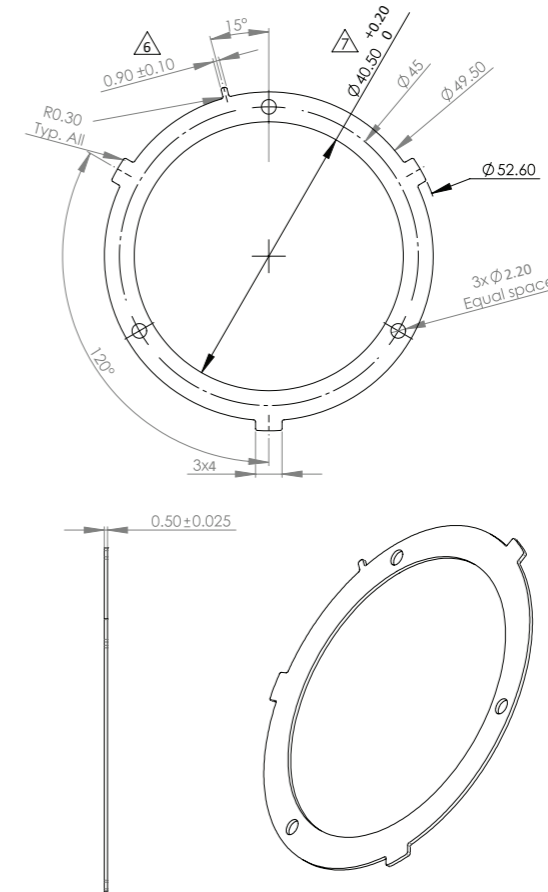
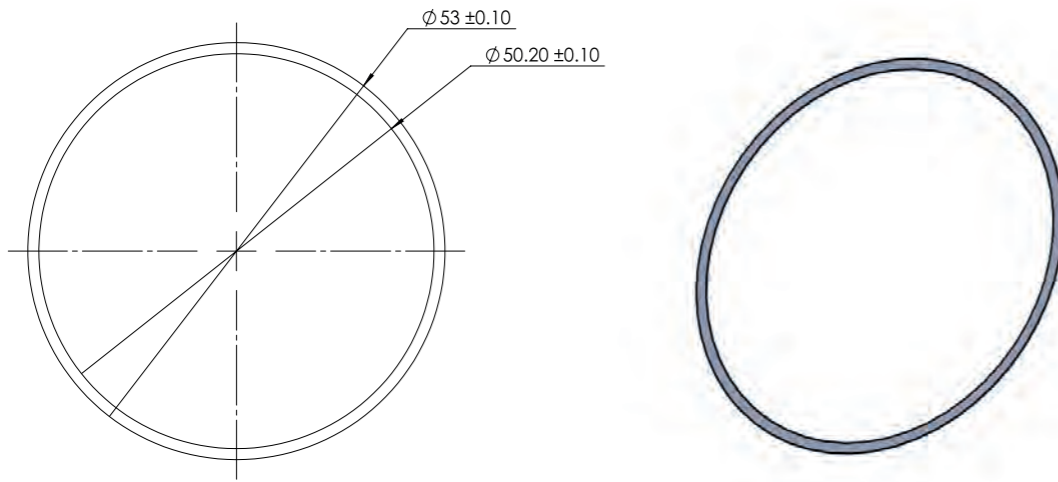


Optional Accessories



Netzer Part Number

Description

DS-90-R-00

DS-90 rotor shims kit (10 units per kit)

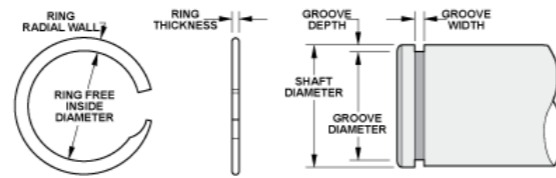
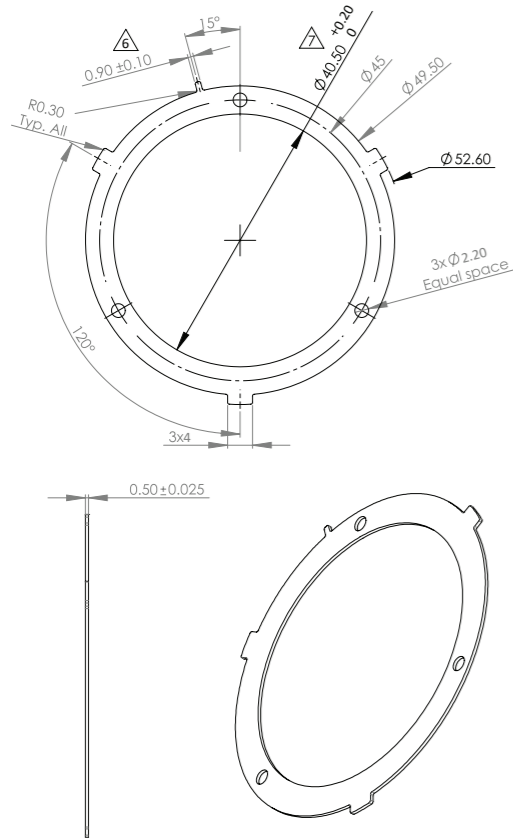
Netzer Part Number

Description

MA-DS90-004

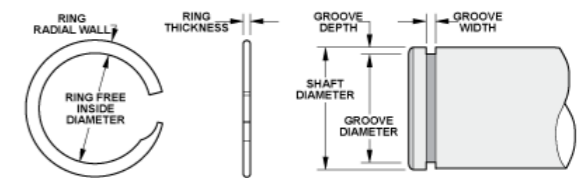
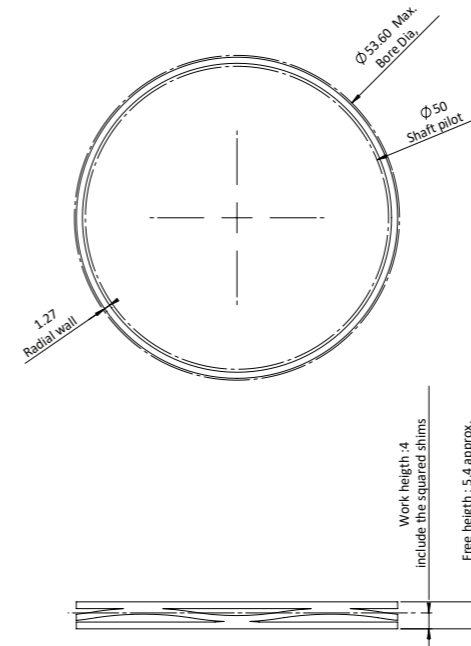
DS-90 end of stepped shaft installation kit

Optional Accessories



FOR TOLERANCES, SEE CATALOG OR CONTACT SMALLEY

Part Number:	VSM-50
Ring Type:	External Ring
Shaft Diameter (mm):	50.00
Groove Diameter (mm):	48.52
Min. Groove Width (mm):	0.99
Free Inside Diameter (mm):	47.99
Ring Thickness (mm):	0.79
Ring Radial Wall (mm):	3.00
Number of Turns:	1
Crimp:	No
Ring Shear (N):	35,935 (based on a safety factor of 3)
Groove Yield (N):	18,032 (based on a groove material yield strength of 310 N/mm ³ and a safety factor of 2)



FOR TOLERANCES, SEE CATALOG OR CONTACT SMALLEY

Part Number:	VSM-50
Ring Type:	External Ring
Shaft Diameter (mm):	50.00
Groove Diameter (mm):	48.52
Min. Groove Width (mm):	0.99
Free Inside Diameter (mm):	47.99
Ring Thickness (mm):	0.79
Ring Radial Wall (mm):	3.00
Number of Turns:	1
Crimp:	No
Ring Shear (N):	35,935 (based on a safety factor of 3)
Groove Yield (N):	18,032 (based on a groove material yield strength of 310 N/mm ³ and a safety factor of 2)

Number of turns : 2
squared shims ends : 2
Number of waves : 5.5
Load at work height (N) : 37.8 to 46.2 N
Spring rate : 29.7 N/mm approximate
Thickness : 0.46
Load at 3 mm = 71.4 N approximate
Smalley P/N 31315-03

Netzer Part Number

Description

MA-DS90-001	DS-90 end of smooth shaft installation kit
-------------	--

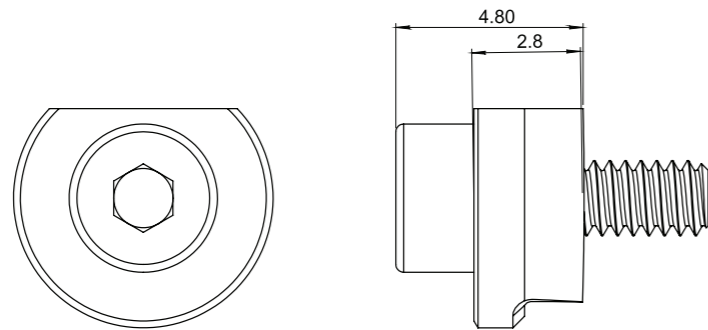
Netzer Part Number

Description

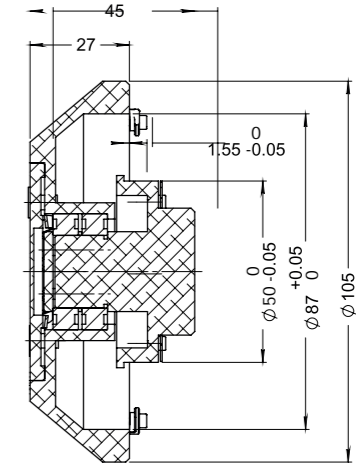
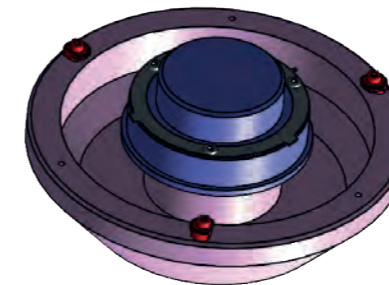
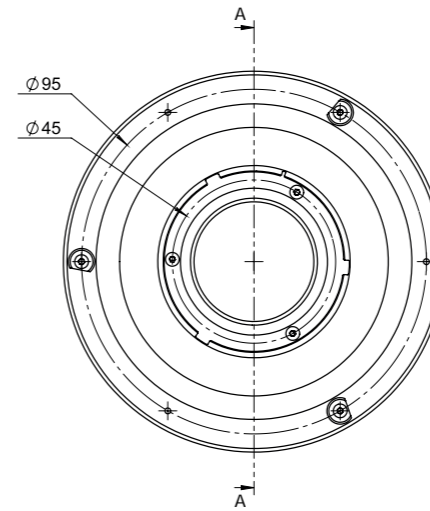
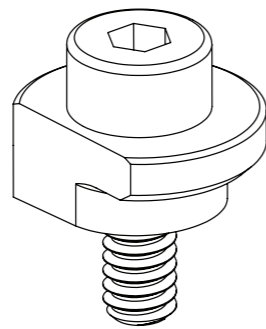
MA-DS90-005	DS-90 INT KIT, Middle shaft, smooth shaft
-------------	---

* For more information please consult with Netzer experts > [Contact us](#)

Optional Accessories



PART OF KIT EAPK005 (3 PIECES)



Netzer Part Number

Description

EAPK005

DS-90 mounting clamps kit (3 units per kit)

Netzer Part Number

Description

RJ-DS-90

DS-90 rotary jig

Optional Accessories



Netzer Part Number

Description

DKIT-DS-90-SH-S0

DS-90 demo kit, SSI

DKIT-DS-90-IH-S0

DS-90 demo kit, BiSS

* For more information please consult with Netzer experts > [Contact us](#)