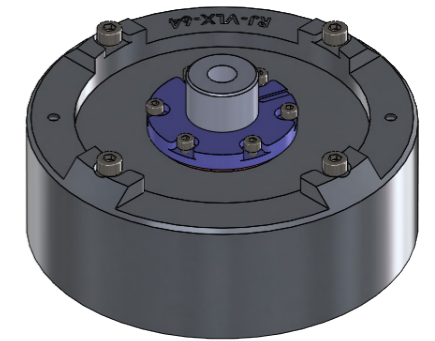
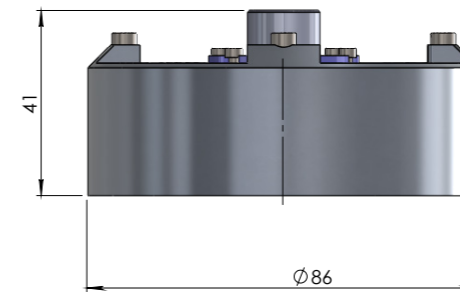
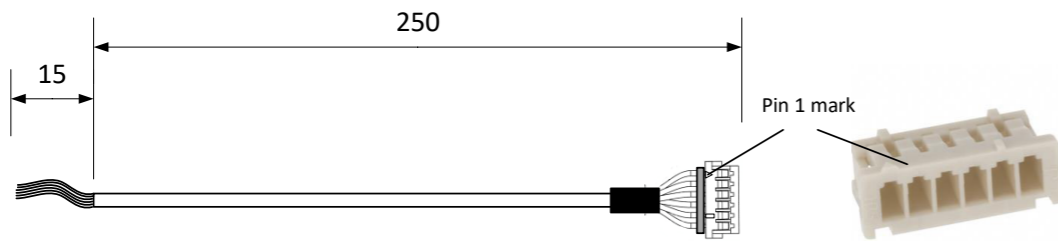


Optional Accessories



Netzer Part Number

Description

CB-00082-250

VLX-64 connection harness 250mm

Netzer Part Number

Description

RJ-VLX-64

VLX-64 rotary jig

Optional Accessories



Netzer Part Number

Description

DKIT-VLX-64-32-SG-C

VLX-60 demo kit, SSI

DKIT-VLX-64-32-IG-C

VLX-60 demo kit, BiSS

* For more information please consult with Netzer experts > [Contact us](#)