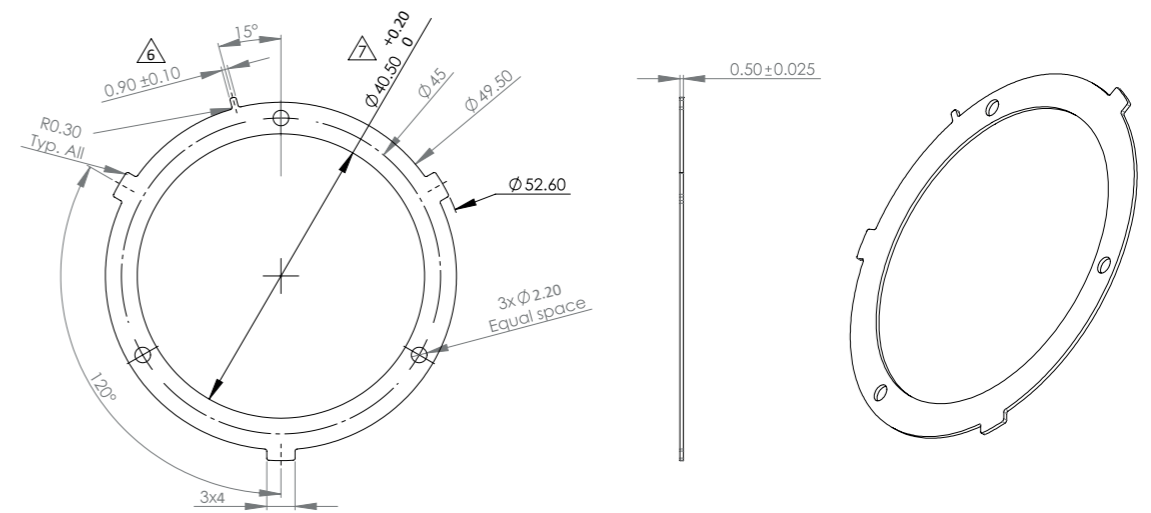
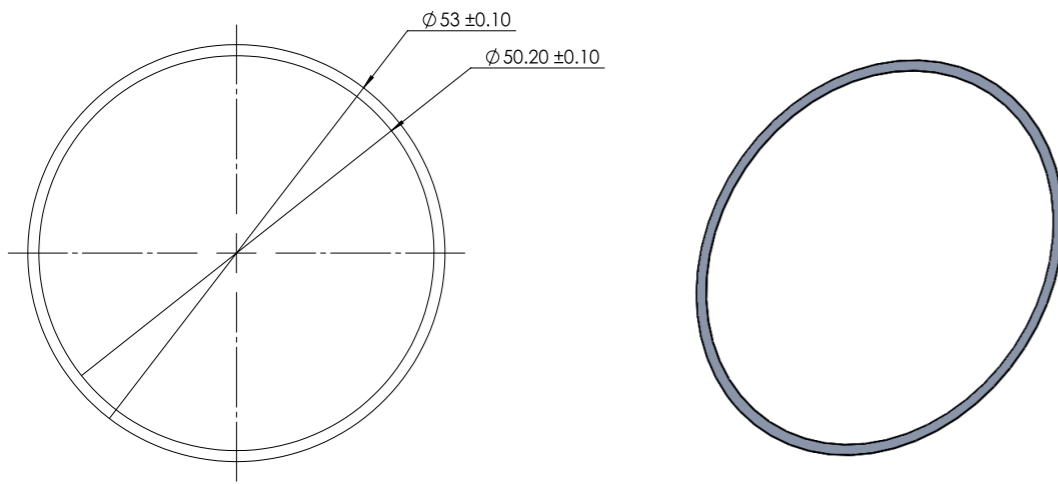


### Optional Accessories



**Netzer Part Number**

**Description**

DS-90-R-00

DS-90 rotor shims kit (10 units per kit)

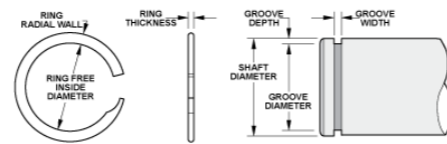
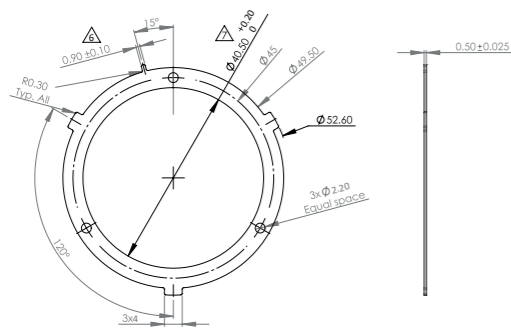
**Netzer Part Number**

**Description**

MA-DS90-004

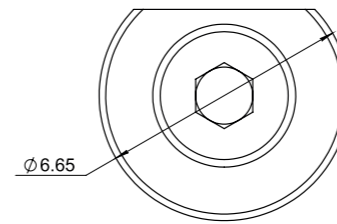
DS-90 end of stepped shaft installation kit

### Optional Accessories

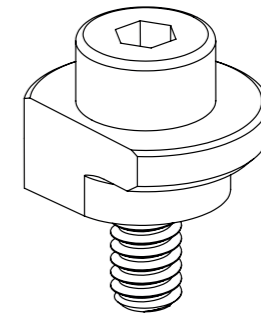
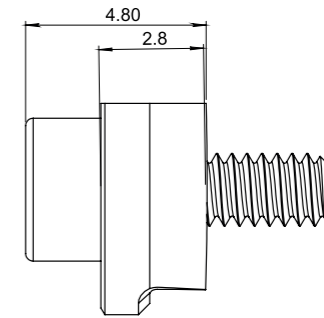


FOR TOLERANCES, SEE CATALOG OR CONTACT SMALLEY

Part Number:	<b>VSM-50</b>
Ring Type:	<b>External Ring</b>
Shaft Diameter (mm):	<b>50.00</b>
Groove Diameter (mm):	<b>48.52</b>
Min. Groove Width (mm):	<b>0.99</b>
Free Inside Diameter (mm):	<b>47.99</b>
Ring Thickness (mm):	<b>0.79</b>
Ring Radial Wall (mm):	<b>3.00</b>
Number of Turns:	<b>1</b>
Crimp:	<b>No</b>
Ring Shear (N):	<b>35,935</b> (based on a safety factor of 3)
Groove Yield (N):	<b>18,032</b> (based on a groove material yield strength of 310 N/mm <sup>2</sup> and a safety factor of 2)



PART OF KIT EAPK005 (3 PIECES)



**Netzer Part Number**

**Description**

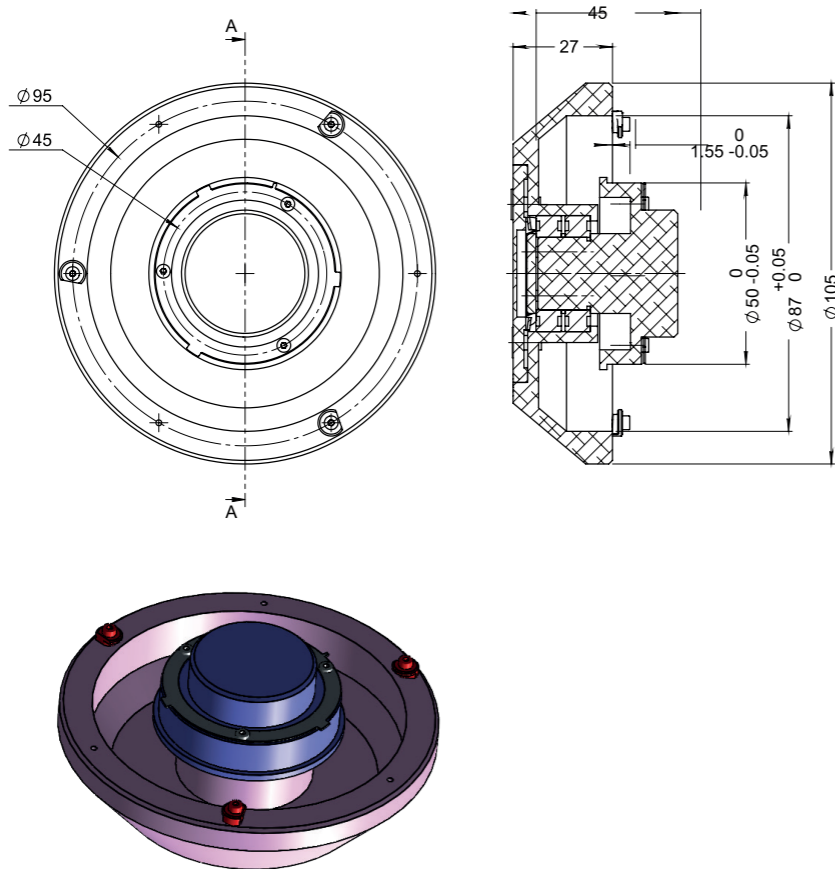
MA-DS90-001	DS-90 end of smooth shaft installation kit
-------------	--

**Netzer Part Number**

**Description**

EAPK005	DS-90 mounting clamps kit (3 units per kit)
---------	---

### Optional Accessories



**Netzer Part Number**

**Description**

RJ-DS-90

DS-90 rotary jig

**Netzer Part Number**

**Description**

DKIT-DS-90-SH-S0

DS-90 demo kit, SSi

DKIT-DS-90-IH-S0

DS-90 demo kit, BiSS

\* For more information please consult with Netzer experts > [Contact us](#)