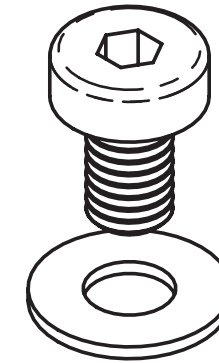
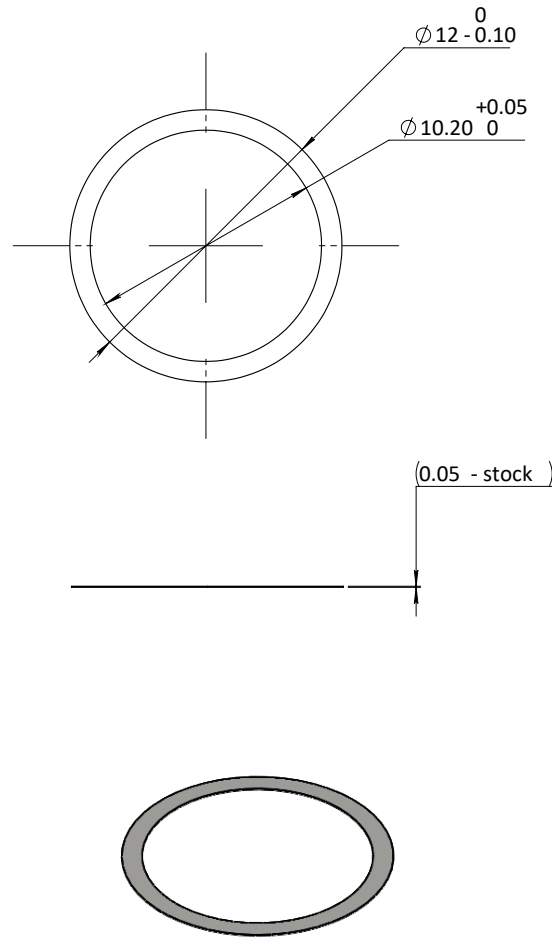


Optional Accessories



Netzer Part Number

Description

DS-40-R-00

DS-40 Rotor shims kit (10 units per kit)

Netzer Part Number

Description

MA-DS40-004

DS-40 end of stepped shaft installation kit

Optional Accessories

Wave Spring Properties

[Print Friendly Page](#)

PATENT NO. 4,901,987

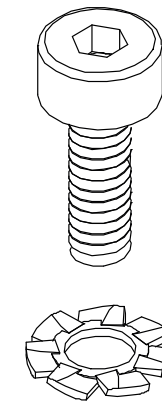
Part Number:	CS056-L1
Spring Type:	Crest-to-Crest with shims
Operates in Bore (in):	0.562
Clears Shaft Dia. (in):	0.375
Load (lbs):	5.0
Work Height (in):	0.080
Free Height (in):	0.195
Number of waves/turn:	2.5
Number of Turns:	3
Number of Shims:	2
Wire Thickness (in):	0.009
Wire Radial Wall (in):	0.058
Spring Rate (lbs/in):	43

[Request a Sample | Request a Quote | Design Custom Part | Search Again]

FOR TOLERANCES, SEE CATALOG OR CONTACT SMALLEY

Part Number:	VSM-10
Ring Type:	External Ring
Shaft Diameter (mm):	10.00
Groove Diameter (mm):	9.40
Min. Groove Width (mm):	0.46
Free Inside Diameter (mm):	9.32
Ring Thickness (mm):	0.38
Ring Radial Wall (mm):	0.89
Number of Turns:	1
Crimp:	No
Ring Shear (N):	3,978 (based on a safety factor of 3)
Groove Yield (N):	1,462 (based on a groove material yield strength of 310 N/mm ² and a safety factor of 2)

[Request a Sample | Request a Quote | Design Custom Part | Search Again]



Netzer Part Number

Description

MA-DS40-002

DS-40 end of smooth shaft installation kit

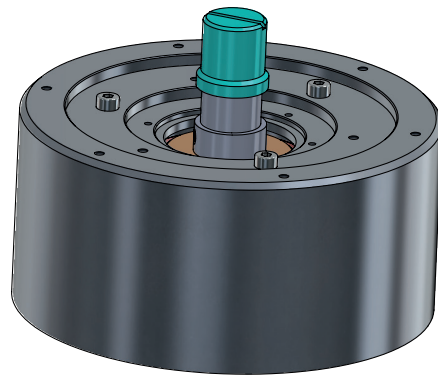
Netzer Part Number

Description

EAPK008

DS-40 mounting screws kit (3 per kit)

Optional Accessories



Netzer Part Number

Description

RJ DS-40

DS-40 rotary jig

Netzer Part Number

Description

DKIT-DS-40-SF

DS-40 Demo kit, SSi

DKIT-DS-40-IF

DS-40 Demo kit, BiSS