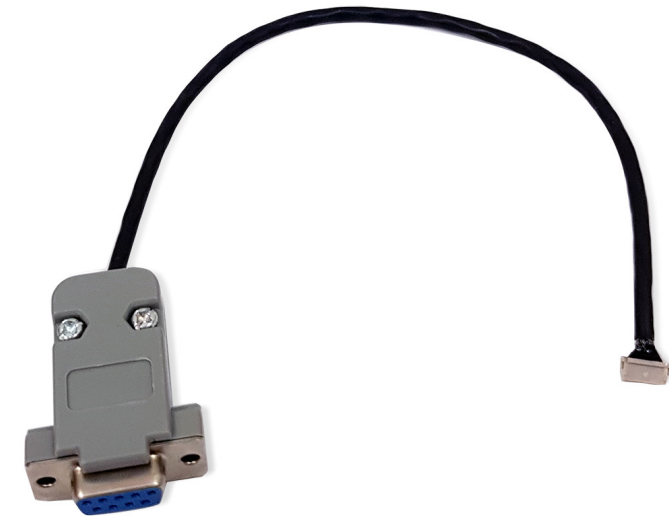
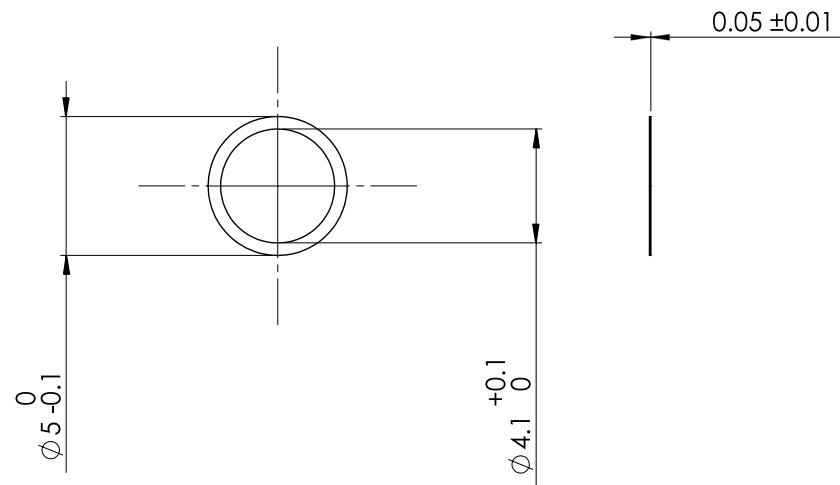


### Optional Accessories



#### Netzer Part Number

#### Description

DS-16-R-01 Kit

DS-16 rotor shims kit (10 units per kit)

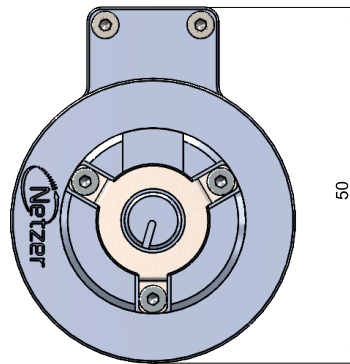
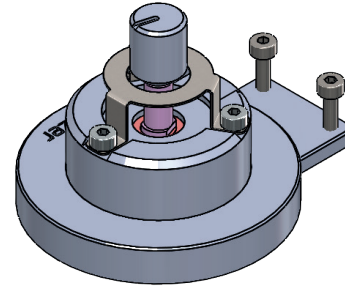
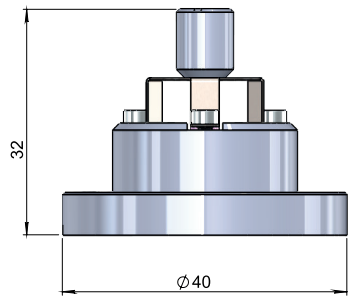
#### Netzer Part Number

#### Description

CB-00082-DS-16 Test

DS-16 cable encoder to converter

### Optional Accessories



**Netzer Part Number**

**Description**

RJ-16

DS-16 rotary jig

**Netzer Part Number**

**Description**

DKIT-DS-16-SE-FC

DS-16 demonstration Kit, SSI

DKIT-DS-16-IE-FC

DS-16 demonstration Kit, BiSS